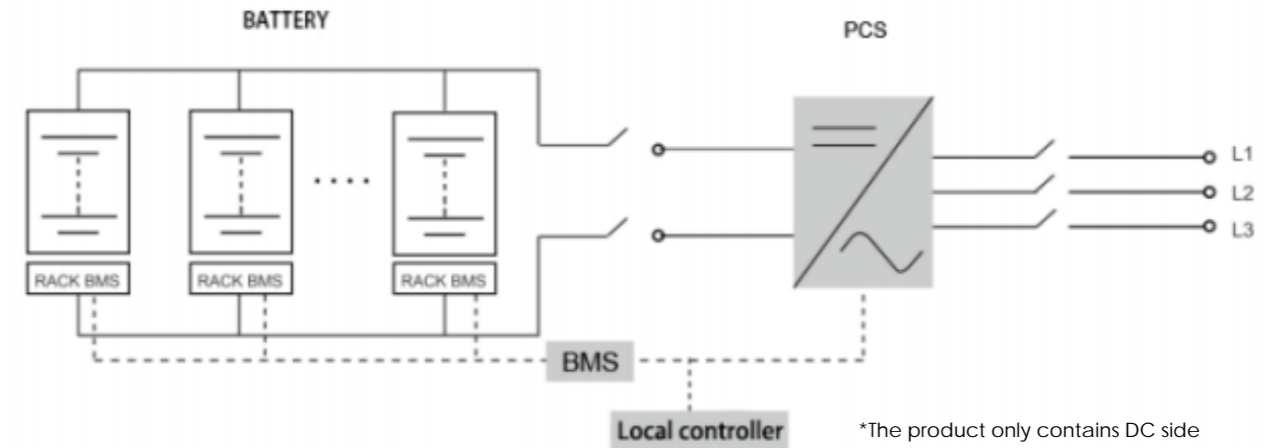


JKE-344K-2H-LAA

SunGiga Liquid Cooling ESS Solution

Jinko liquid-cooled battery cabinet integrates battery modules with 1500V DC battery and capacity of 344kWh. Also can be widely used in various application scenarios such as generation and transmission grid, distribution grid, new energy plants.



HIGHLY INTEGRATED

- Configuration capacity with 8 modules with 344kWh.
- Liquid-cooled battery modular design, easy to system expansion

RELIABLE AND SAFE

- Intelligent monitoring and linkage actions ensure battery system safety
- Integrated heating system for thermal safety and enhanced performance and reliability

EFFICIENT AND FLEXIBLE

- The turnkey system is design to enhance higher efficiency and prolong battery life
- Highly integrated ESS for easy transportation and flexible O&M

SMART SOFTWARE

- Multiple operation modes are available, the software can be customized and upgraded
- Cloud-based monitoring and operation platform supports the visit of Mysql database and multiple devices

APPLICATION

- PEAK SHAVING**
 Discharge at time of peak demand to reduce expensive demand charge.
- ENERGY BACKUP**
 Powers a facility when the grid goes down, or application in areas without electricity.
- CAPACITY FIRING**
 Smooth out the intermittency of renewables by storing and dispatching when needed.
- OPTIMIZATION THE UTILIZATION OF RENEWABLE**
 Daytime load maximizes PV power, and excess power is stored for use at night.
- ARBITRAGE**
 Carry out arbitrage by using peak and valley electricity prices in different time periods.
- COST SAVING**
 Supply power at a distributed location to reduce investment in the construction of the grid.

BATTERY DATA

Battery model	LFP-280Ah
Cell spec	3.2V/280Ah
Max. charge and discharge power	0.5P
Configuration of system	1P384S
Max nominal energy	344kWh
Nominal voltage	1228.8V
Battery voltage range	1075.2V-1382.4V
Cooling concept	Liquid cooling
BMS communication	CAN/RS485/LAN

GENERAL DATA

Environment temp	-30 ~ 55
Environment humidity	≤ 95%RH ,without condensation
Operating altitude	≤ 2000m
Noise	≤ 75dB(A)@1m
Degree of protection	IP55
Fire suppression system	Aerosol
Anticorrosion grade	C5 -M
Classes of seismic measure	7 level
Communication interfaces	Ethernet
Dimensios (WxDxH)	1300×1300×2300mm
Weight	≈3.7t
Certificates	UL1973,UL9540,UL9540A.etc